



Installation Instructions

717941

Direct Fit Muffler

2014-2025 Ram 2500

6.4L Engine

All wheel Bases

Installation requires moderate mechanical skill. If this job is beyond your abilities, seek the services of a qualified technician.

If you do not understand any part of these instructions, please call Flowmaster Technical Support at (866) 464-6553 for assistance.

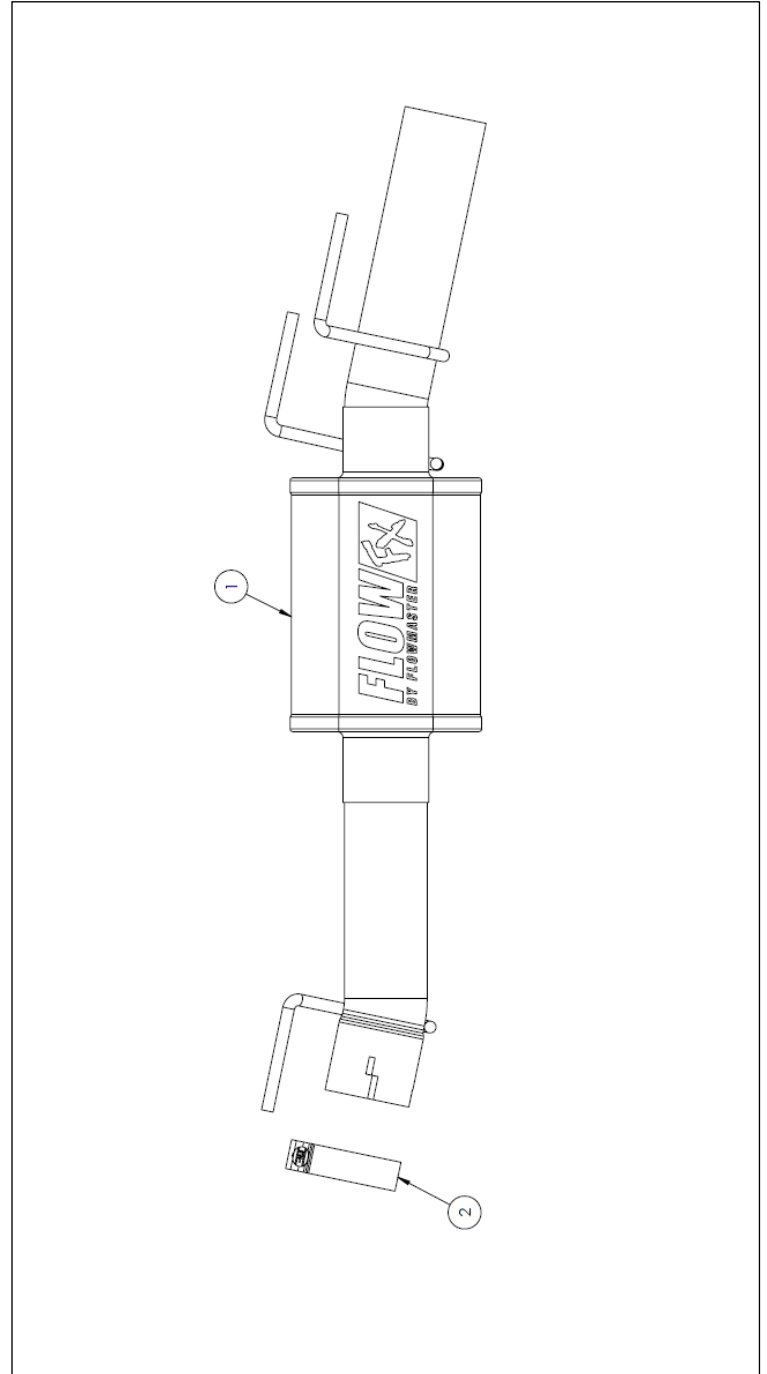
Apply penetrating oil generously to clamps, fasteners, pipes, and hanger rods for ease of disassembly.

REVIEW THE INSTRUCTIONS & VERIFY THE KIT CONTENTS

Take a moment to read and understand these instructions before installing your Flowmaster exhaust kit.

ITM#	Part #	Description	Qty.
1	74150-628	RAM 6.4L Direct Fit Muffler	1
2	MC350BS	3.5" Band Clamp	1

Use the parts drawing and list to identify components and verify your kit's contents. In the unlikely event that any parts are missing, please contact Flowmaster Technical Support for replacements.



Vehicle Compatibility

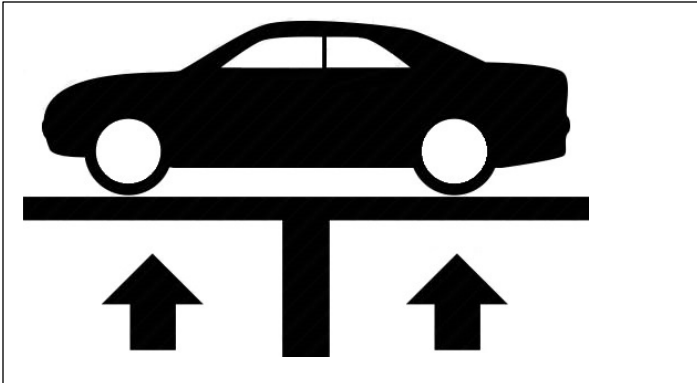
Model Year: 2014-2025

Make: RAM

Model: 2500

Engine: 6.4L Hemi

- All Wheel Bases



BEFORE STARTING:

Raise the vehicle to a minimum of eighteen inches. A floor hoist is ideal. If no hoist is available, we strongly urge the use of axle stands as a safety measure. **Please read and understand these instructions and disclaimer in their entirety before attempting installation.**

CAUTION! WORK ONLY ON A LEVEL SURFACE. USE JACKS /JACK STANDS OF SUFFICIENT CAPACITY TO LIFT AND SUPPORT YOUR VEHICLE. NEVER WORK UNDER A VEHICLE SUPPORTED BY A FLOOR OR BUMPER JACK

Removing the OEM Muffler Assembly - Fig.1

1. Apply penetrating oil to each rubber exhaust Hanger and Clamp Bolts. Also Applying to slip joints after the clamps are loosened will assist with Disassembly.
2. Support the exhaust assembly before removing any rubber hangers.
3. Loosen the clamp at the muffler outlet (A). Remove the tail pipe/resonator assembly (B) from the vehicle.
4. Loosen the clamp at the Muffler Inlet (C).
5. Remove the Isolators from the front and rear muffler hangers
6. Remove the OEM Muffler from the vehicle. *** Do not Remove the OEM muffler Inlet Pipe from the Vehicle.**

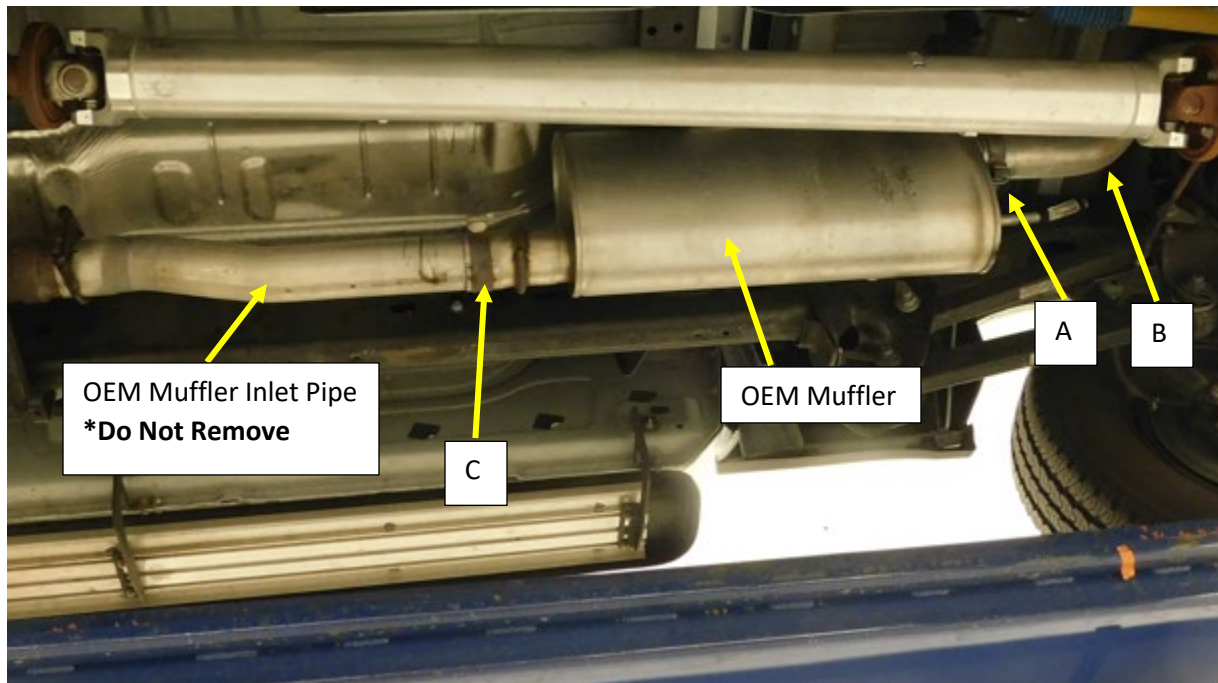


Figure.1

Installation of 717941 Direct Fit Muffler

1. Install the Supplied 3.5" band clamp **(2)** on to the Expanded and notched end of the Flowmaster Direct Fit Muffler assembly **(1)**. **Fig.2**
2. Install the mufflers expanded and notched end on to the OEM Muffler Inlet pipe, with the square notch aligned with the pin on the inlet pipe. Be sure the pin is in the notch completely.
3. Install the (x2) isolators on to the hanger rods at the muffler outlet first then the isolator at the Muffler inlet hanger rod.
4. Install the OEM tail pipe/resonator assembly on to the Direct fit Muffler outlet.
5. Install the tail pipe Isolator at the rear of the frame rail.
6. Check alignment and tighten the clamps

Important: Make sure the Inlet pipe clamp **(2)** is installed past the alignment pin on the inlet pipe and NOT on top of it. This will prevent a loose connection possible exhaust leak.

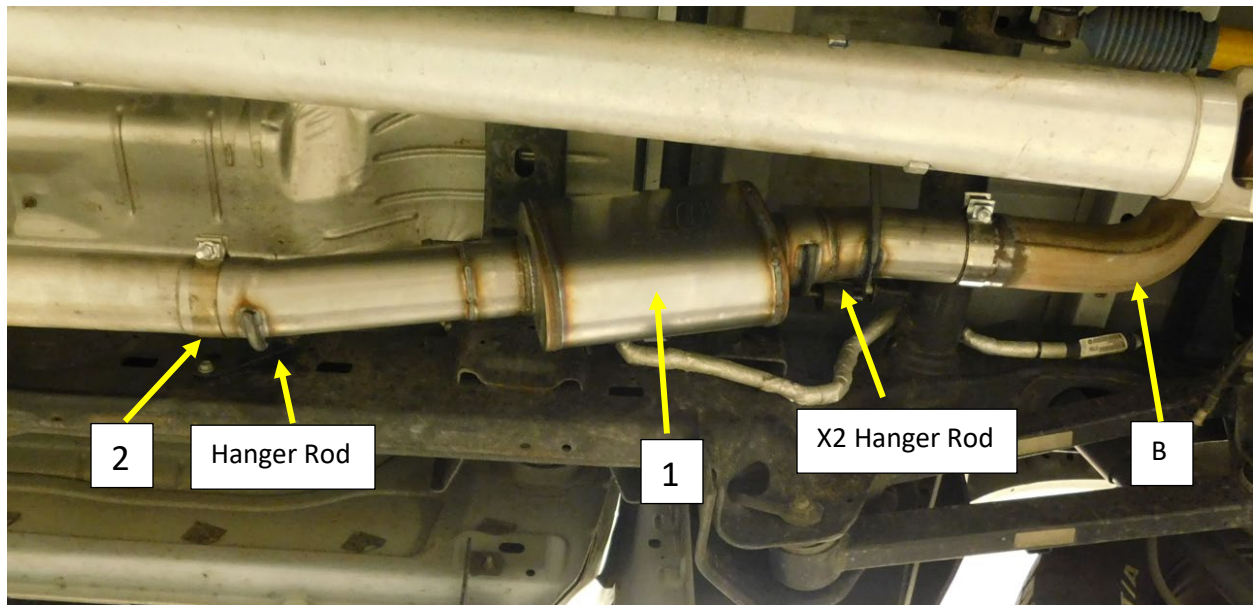


Figure. 2

Enjoy Your Flowmaster Exhaust!